

**Certifications**

IEC 61914:2015 - Approved by RTE

**Section**

Single aluminium cleats

**Application**

Field

**PRODUCT BENEFITS**

Easy to close with our registered hinges system  
Stainless steel screws with anti-friction coating  
High resistance to landslides in vertical

**TOOL CAPACITY**

<b>Diameter</b>	102 - 107 mm 4,016 - 4,213 inch
<b>Material</b>	AS13 aluminium / stainless steel
<b>Version</b>	Screw

**TOOL DIMENSIONS**

<b>Length</b>	180 mm
<b>Width</b>	100 mm
<b>Height</b>	186 mm
<b>Weight without box</b>	1,55 Kg
<b>Packaging</b>	None

**ALROC SAS**

Z.I. de la Fonderie - 72160 TUFFE  
FRANCE  
Phone: +33 2 43 71 11 80  
Fax number : +33 2 43 71 16 51  
www.alroc.fr

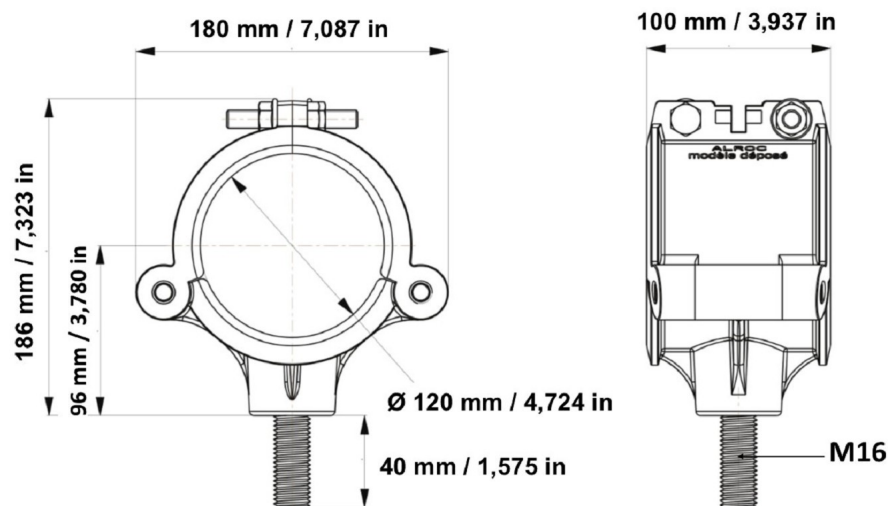
## Simple cleat of hinges Ø120 screw version

**TO DO WHAT**

Our range of CSC simple cleats allows the maintenance of underground cables for the distribution and transmission of electricity.

Indoor or outdoor installation. SEMC, transformers, wells...

Must be associated with a protective liner (to order separately).

**Options**

EQC16/00 - Base for M16 cleat. Also available in EQC16/50

EC16 - M16 castellated nut

EQC36 - Base for tail of cleat M36

EC36 - M36 castellated nut

QCF300 - Threaded end cleat. Also available in QCF100, QCF200, QCF400 and QCF500

QCA - Articulated end cleat. Also available in QCA-M16

**Associated product(s)**

PCA10-120 - Protection for Ø102 to 104mm / 4,016 to 4,094in cable

PCA8-120 - Protection for Ø104 to 107mm / 4,094 to 4,213in cable

CAD - Socket wrench

CAE - Pin wrench

**IEC 61914 standard**

ICC peak 76,1kA, S=125mm, D=1m

Lateral load : 500 daN

Use temperature : -25°C to 85°C

Cleats, saddles and accessories

# CSC120V



Part Number	Diameter	Tool capacity		Dimensions			Packaging
		Material	Version	Length	Width	Height	
<b>CSC110E</b>	92 - 97 mm 3,622 - 3,819 in	AS13 aluminium / stainless steel	Nut	169 mm 6,654 in	100 mm 3,937 in	175 mm 6,890 in	none
<b>CSC110V</b>	92 - 97 mm 3,622 - 3,819 in	AS13 aluminium / stainless steel	Screw	169 mm 6,654 in	100 mm 3,937 in	175 mm 6,890 in	none
<b>CSC120E</b>	102 - 107 mm 4,016 - 4,213 in	AS13 aluminium / stainless steel	Nut	180 mm 7,087 in	100 mm 3,937 in	186 mm 7,323 in	none
<b>CSC120V</b>	102 - 107 mm 4,016 - 4,213 in	AS13 aluminium / stainless steel	Screw	180 mm 7,087 in	100 mm 3,937 in	186 mm 7,323 in	none