

**Certifications**

IEC 61914:2015 - Approved by RTE

**Section**

Single aluminium cleats

**Application**

Field

**PRODUCT BENEFITS**

easy to close with our registered hinges system.

Stainless steel screws with anti-friction coating.

High resistance to landslides in vertical.

**TOOL CAPACITY**

**Diameter** 87 - 92 mm  
3,425 - 3,622 inch

**Material** AS13 aluminium / stainless steel

**Version** Nut

**TOOL DIMENSIONS**

**Length** 163 mm

**Width** 100 mm

**Height** 168 mm

**Weight without box** 1,28 Kg

**Packaging** None

**ALROC SAS**

Z.I. de la Fonderie - 72160 TUFFE  
FRANCE

Phone: +33 2 43 71 11 80

Fax number : +33 2 43 71 16 51

www.alroc.fr

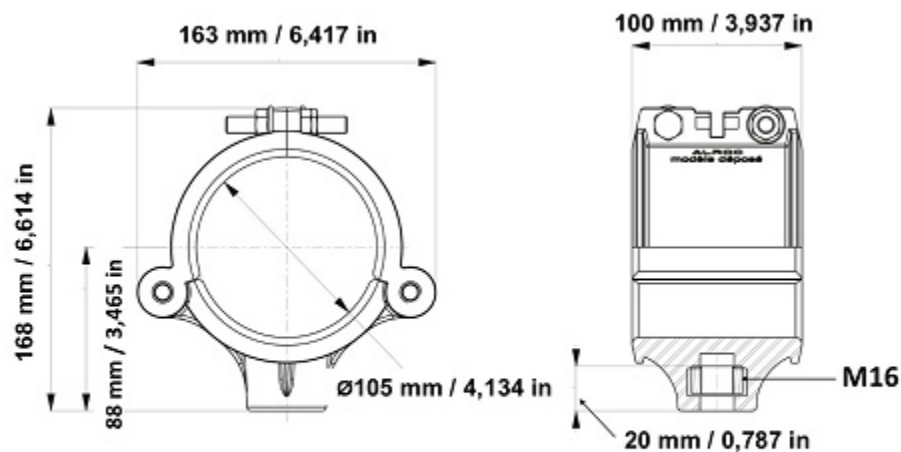
## Simple cleat of hinges Ø105 nut version

**TO DO WHAT**

Our range of CSC simple cleats allows the maintenance of underground cables for the distribution and transmission of electricity.

Indoor or outdoor installation. SEMC, transformers, wells...

Must be associated with a protective fur (To order separately).

**Options**

LTF16-140 - Threaded rod connection M16

LCA-MMA - Articulated rod connection aluminium M16. Also available in inox version LCA-MMI

EC16 - M16 castellated nut

EQC16/00 - Base for M16 cleat. Also available in EQC16/50

VIL16/60 - Special screw M16

**Associated tool**

PCA10-105 - Protection for Ø87 to 89mm / Ø3,425 to 3,504in cable

PCA8-105 - Protection for Ø89 to 92mm / Ø3,504 to 3,622in cable

CAD - Socket wrench

CAE - Pin wrench



| Part Number    | Diameter                         | Tool capacity                    |         | Dimensions         |                    |                    | Packaging |
|----------------|----------------------------------|----------------------------------|---------|--------------------|--------------------|--------------------|-----------|
|                |                                  | Material                         | Version | Length             | Width              | Height             |           |
| <b>CSC100E</b> | 82 - 87 mm<br>3,228 - 3,425 in   | AS13 aluminium / stainless steel | Nut     | 157 mm<br>6,181 in | 100 mm<br>3,937 in | 163 mm<br>6,417 in | none      |
| <b>CSC100V</b> | 82 - 87 mm<br>3,228 - 3,425 in   | AS13 aluminium / stainless steel | Screw   | 157 mm<br>6,181 in | 100 mm<br>3,937 in | 163 mm<br>6,417 in | none      |
| <b>CSC105E</b> | 87 - 92 mm<br>3,425 - 3,622 in   | AS13 aluminium / stainless steel | Nut     | 163 mm<br>6,417 in | 100 mm<br>3,937 in | 168 mm<br>6,614 in | none      |
| <b>CSC105V</b> | 87 - 92 mm<br>3,425 - 3,622 in   | AS13 aluminium / stainless steel | Screw   | 163 mm<br>6,417 in | 100 mm<br>3,937 in | 168 mm<br>6,614 in | none      |
| <b>CSC110E</b> | 92 - 97 mm<br>3,622 - 3,819 in   | AS13 aluminium / stainless steel | Nut     | 169 mm<br>6,654 in | 100 mm<br>3,937 in | 175 mm<br>6,890 in | none      |
| <b>CSC110V</b> | 92 - 97 mm<br>3,622 - 3,819 in   | AS13 aluminium / stainless steel | Screw   | 169 mm<br>6,654 in | 100 mm<br>3,937 in | 175 mm<br>6,890 in | none      |
| <b>CSC115E</b> | 97 - 102 mm<br>3,819 - 4,016 in  | AS13 aluminium / stainless steel | Nut     | 174 mm<br>6,850 in | 100 mm<br>3,937 in | 180 mm<br>7,087 in | none      |
| <b>CSC115V</b> | 97 - 102 mm<br>3,819 - 4,016 in  | AS13 aluminium / stainless steel | Screw   | 174 mm<br>6,850 in | 100 mm<br>3,937 in | 180 mm<br>7,087 in | none      |
| <b>CSC120E</b> | 102 - 107 mm<br>4,016 - 4,213 in | AS13 aluminium / stainless steel | Nut     | 180 mm<br>7,087 in | 100 mm<br>3,937 in | 186 mm<br>7,323 in | none      |
| <b>CSC120V</b> | 102 - 107 mm<br>4,016 - 4,213 in | AS13 aluminium / stainless steel | Screw   | 180 mm<br>7,087 in | 100 mm<br>3,937 in | 186 mm<br>7,323 in | none      |
| <b>CSC125E</b> | 107 - 112 mm<br>4,213 - 4,409 in | AS13 aluminium / stainless steel | Nut     | 186 mm<br>7,323 in | 100 mm<br>3,937 in | 191 mm<br>7,520 in | none      |
| <b>CSC125V</b> | 107 - 112 mm<br>4,213 - 4,409 in | AS13 aluminium / stainless steel | Screw   | 186 mm<br>7,323 in | 100 mm<br>3,937 in | 191 mm<br>7,520 in | none      |
| <b>CSC130E</b> | 112 - 117 mm<br>4,409 - 4,606 in | AS13 aluminium / stainless steel | Nut     | 192 mm<br>7,559 in | 100 mm<br>3,937 in | 194 mm<br>7,638 in | none      |
| <b>CSC130V</b> | 112 - 117 mm<br>4,409 - 4,606 in | AS13 aluminium / stainless steel | Screw   | 192 mm<br>7,559 in | 100 mm<br>3,937 in | 194 mm<br>7,638 in | none      |
| <b>CSC135E</b> | 112 - 117 mm<br>4,409 - 4,606 in | AS13 aluminium / stainless steel | Nut     | 198 mm<br>7,795 in | 100 mm<br>3,937 in | 205 mm<br>8,071 in | none      |
| <b>CSC135V</b> | 117 - 122 mm<br>4,606 - 4,803 in | AS13 aluminium / stainless steel | Screw   | 198 mm<br>7,795 in | 100 mm<br>3,937 in | 205 mm<br>8,071 in | none      |
| <b>CSC140E</b> | 112 - 117 mm<br>4,409 - 4,606 in | AS13 aluminium / stainless steel | Nut     | 201 mm<br>7,913 in | 100 mm<br>3,937 in | 205 mm<br>8,071 in | none      |

# Cleats, saddles and accessories

## CSC105E



|                 |                                  |                                  |       |                    |                    |                    |      |
|-----------------|----------------------------------|----------------------------------|-------|--------------------|--------------------|--------------------|------|
| <b>CSC140V</b>  | 122 - 127 mm<br>4,803 - 5,000 in | AS13 aluminium / stainless steel | Screw | 201 mm<br>7,913 in | 100 mm<br>3,937 in | 205 mm<br>8,071 in | none |
| <b>CSC47,5E</b> | 35 - 39 mm<br>1,378 - 1,535 in   | AS13 aluminium / stainless steel | Nut   | 100 mm<br>3,937 in | 45 mm<br>1,772 in  | 91 mm<br>3,583 in  | none |
| <b>CSC47,5V</b> | 35 - 39 mm<br>1,378 - 1,535 in   | AS13 aluminium / stainless steel | Screw | 100 mm<br>3,937 in | 45 mm<br>1,772 in  | 91 mm<br>3,583 in  | none |
| <b>CSC60E</b>   | 47 - 52 mm<br>1,850 - 2,047 in   | AS13 aluminium / stainless steel | Nut   | 112 mm<br>4,409 in | 66 mm<br>2,598 in  | 121 mm<br>4,764 in | none |
| <b>CSC60V</b>   | 42 - 47 mm<br>1,654 - 1,850 in   | AS13 aluminium / stainless steel | Screw | 112 mm<br>4,409 in | 66 mm<br>2,598 in  | 121 mm<br>4,764 in | none |
| <b>CSC65E</b>   | 47 - 52 mm<br>1,850 - 2,047 in   | AS13 aluminium / stainless steel | Nut   | 112 mm<br>4,409 in | 66 mm<br>2,598 in  | 121 mm<br>4,764 in | none |
| <b>CSC65V</b>   | 47 - 52 mm<br>1,850 - 2,047 in   | AS13 aluminium / stainless steel | Screw | 112 mm<br>4,409 in | 66 mm<br>2,598 in  | 121 mm<br>4,764 in | none |
| <b>CSC70E</b>   | 52 - 57 mm<br>2,047 - 2,244 in   | AS13 aluminium / stainless steel | Nut   | 121 mm<br>4,764 in | 66 mm<br>2,598 in  | 125 mm<br>4,921 in | none |
| <b>CSC70V</b>   | 52 - 57 mm<br>2,047 - 2,244 in   | AS13 aluminium / stainless steel | Screw | 121 mm<br>4,764 in | 66 mm<br>2,598 in  | 125 mm<br>4,921 in | none |
| <b>CSC75E</b>   | 57 - 62 mm<br>2,244 - 2,441 in   | AS13 aluminium / stainless steel | Nut   | 126 mm<br>4,961 in | 66 mm<br>2,598 in  | 131 mm<br>5,157 in | none |
| <b>CSC75V</b>   | 57 - 62 mm<br>2,244 - 2,441 in   | AS13 aluminium / stainless steel | Screw | 126 mm<br>4,961 in | 66 mm<br>2,598 in  | 131 mm<br>5,157 in | none |
| <b>CSC80E</b>   | 62 - 67 mm<br>2,441 - 2,638 in   | AS13 aluminium / stainless steel | Nut   | 134 mm<br>5,276 in | 80 mm<br>3,150 in  | 138 mm<br>5,433 in | none |
| <b>CSC80V</b>   | 62 - 67 mm<br>2,441 - 2,638 in   | AS13 aluminium / stainless steel | Screw | 134 mm<br>5,276 in | 80 mm<br>3,150 in  | 138 mm<br>5,433 in | none |
| <b>CSC85E</b>   | 67 - 72 mm<br>2,638 - 2,835 in   | AS13 aluminium / stainless steel | Nut   | 140 mm<br>5,512 in | 80 mm<br>3,150 in  | 144 mm<br>5,669 in | none |
| <b>CSC85V</b>   | 67 - 72 mm<br>2,638 - 2,835 in   | AS13 aluminium / stainless steel | Screw | 140 mm<br>5,512 in | 80 mm<br>3,150 in  | 144 mm<br>5,669 in | none |
| <b>CSC90E</b>   | 72 - 77 mm<br>2,835 - 3,031 in   | AS13 aluminium / stainless steel | Nut   | 145 mm<br>5,709 in | 80 mm<br>3,150 in  | 150 mm<br>5,906 in | none |
| <b>CSC90V</b>   | 72 - 77 mm<br>2,835 - 3,031 in   | AS13 aluminium / stainless steel | Screw | 145 mm<br>5,709 in | 80 mm<br>3,150 in  | 150 mm<br>5,906 in | none |
| <b>CSC95E</b>   | 77 - 82 mm<br>3,031 - 3,228 in   | AS13 aluminium / stainless steel | Nut   | 151 mm<br>5,945 in | 100 mm<br>3,937 in | 158 mm<br>6,220 in | none |
| <b>CSC95V</b>   | 77 - 82 mm<br>3,031 - 3,228 in   | AS13 aluminium / stainless steel | Screw | 151 mm<br>5,945 in | 100 mm<br>3,937 in | 158 mm<br>6,220 in | none |