

### Certifications

IEC 61914:2015 - Approved by RTE

### Section

Single aluminium cleats

### Application

Field



### PRODUCT BENEFITS

Easy to close with our registered hinges system  
Stainless steel screws with anti-friction coating  
High resistance to landslides in vertical

### TOOL CAPACITY

|          |                                  |
|----------|----------------------------------|
| Diameter | 82 - 87 mm<br>3,228 - 3,425 inch |
| Material | AS13 aluminium / stainless steel |
| Version  | Screw                            |

### TOOL DIMENSIONS

|                    |         |
|--------------------|---------|
| Length             | 157 mm  |
| Width              | 100 mm  |
| Height             | 163 mm  |
| Weight without box | 1,27 Kg |
| Packaging          | None    |

### ALROC SAS

Z.I. de la Fonderie - 72160 TUFFE  
FRANCE  
Phone: +33 2 43 71 11 80  
Fax number : +33 2 43 71 16 51  
www.alroc.fr

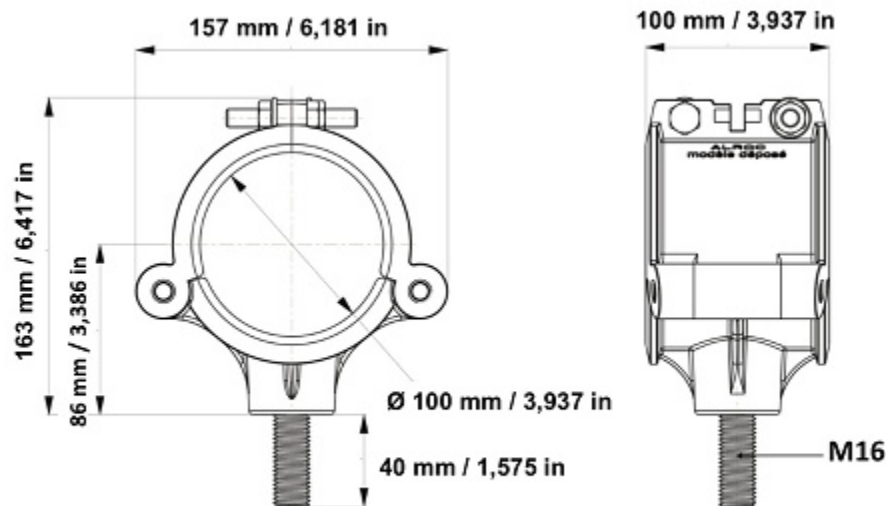
## Simple cleat of hinges Ø100 screw version

### TO DO WHAT

Our range of CSC simple cleats allows the maintenance of underground cables for the distribution and transmission of electricity.

Indoor or outdoor installation. SEMC, transformers, wells...

Must be associated with a protective fur (To order separately).



### Options

- EQC16/00 - Base for M16 cleat. Also available in EQC16/50
- EC16 - M16 castellated nut
- EQC36 - Base for tail of cleat M36
- EC36 - M36 castellated nut
- QCF300 - Threaded end cleat. Also available in QCF100, QCF200, QCF400 and QCF500
- QCA - Articulated end cleat. Also available in QCA-M16

### Associated tool

- PCA10-100 - Protection for  $\text{Ø}82$  to  $84 \text{ mm / } \text{Ø}3,228$  to  $3,307 \text{ in}$  cable
- PCA8-100 - Protection for  $\text{Ø}84$  to  $87 \text{ mm / } \text{Ø}3,307$  to  $3,425 \text{ in}$  cable
- CAD - Socket wrench
- CAE - Pin wrench



| Part Number    | Diameter                         | Tool capacity                    |         | Dimensions         |                    |                    | Packaging |
|----------------|----------------------------------|----------------------------------|---------|--------------------|--------------------|--------------------|-----------|
|                |                                  | Material                         | Version | Length             | Width              | Height             |           |
| <b>CSC100E</b> | 82 - 87 mm<br>3,228 - 3,425 in   | AS13 aluminium / stainless steel | Nut     | 157 mm<br>6,181 in | 100 mm<br>3,937 in | 163 mm<br>6,417 in | none      |
| <b>CSC100V</b> | 82 - 87 mm<br>3,228 - 3,425 in   | AS13 aluminium / stainless steel | Screw   | 157 mm<br>6,181 in | 100 mm<br>3,937 in | 163 mm<br>6,417 in | none      |
| <b>CSC105E</b> | 87 - 92 mm<br>3,425 - 3,622 in   | AS13 aluminium / stainless steel | Nut     | 163 mm<br>6,417 in | 100 mm<br>3,937 in | 168 mm<br>6,614 in | none      |
| <b>CSC105V</b> | 87 - 92 mm<br>3,425 - 3,622 in   | AS13 aluminium / stainless steel | Screw   | 163 mm<br>6,417 in | 100 mm<br>3,937 in | 168 mm<br>6,614 in | none      |
| <b>CSC110E</b> | 92 - 97 mm<br>3,622 - 3,819 in   | AS13 aluminium / stainless steel | Nut     | 169 mm<br>6,654 in | 100 mm<br>3,937 in | 175 mm<br>6,890 in | none      |
| <b>CSC110V</b> | 92 - 97 mm<br>3,622 - 3,819 in   | AS13 aluminium / stainless steel | Screw   | 169 mm<br>6,654 in | 100 mm<br>3,937 in | 175 mm<br>6,890 in | none      |
| <b>CSC115E</b> | 97 - 102 mm<br>3,819 - 4,016 in  | AS13 aluminium / stainless steel | Nut     | 174 mm<br>6,850 in | 100 mm<br>3,937 in | 180 mm<br>7,087 in | none      |
| <b>CSC115V</b> | 97 - 102 mm<br>3,819 - 4,016 in  | AS13 aluminium / stainless steel | Screw   | 174 mm<br>6,850 in | 100 mm<br>3,937 in | 180 mm<br>7,087 in | none      |
| <b>CSC120E</b> | 102 - 107 mm<br>4,016 - 4,213 in | AS13 aluminium / stainless steel | Nut     | 180 mm<br>7,087 in | 100 mm<br>3,937 in | 186 mm<br>7,323 in | none      |
| <b>CSC120V</b> | 102 - 107 mm<br>4,016 - 4,213 in | AS13 aluminium / stainless steel | Screw   | 180 mm<br>7,087 in | 100 mm<br>3,937 in | 186 mm<br>7,323 in | none      |
| <b>CSC125E</b> | 107 - 112 mm<br>4,213 - 4,409 in | AS13 aluminium / stainless steel | Nut     | 186 mm<br>7,323 in | 100 mm<br>3,937 in | 191 mm<br>7,520 in | none      |
| <b>CSC125V</b> | 107 - 112 mm<br>4,213 - 4,409 in | AS13 aluminium / stainless steel | Screw   | 186 mm<br>7,323 in | 100 mm<br>3,937 in | 191 mm<br>7,520 in | none      |
| <b>CSC130E</b> | 112 - 117 mm<br>4,409 - 4,606 in | AS13 aluminium / stainless steel | Nut     | 192 mm<br>7,559 in | 100 mm<br>3,937 in | 194 mm<br>7,638 in | none      |
| <b>CSC130V</b> | 112 - 117 mm<br>4,409 - 4,606 in | AS13 aluminium / stainless steel | Screw   | 192 mm<br>7,559 in | 100 mm<br>3,937 in | 194 mm<br>7,638 in | none      |
| <b>CSC135E</b> | 112 - 117 mm<br>4,409 - 4,606 in | AS13 aluminium / stainless steel | Nut     | 198 mm<br>7,795 in | 100 mm<br>3,937 in | 205 mm<br>8,071 in | none      |
| <b>CSC135V</b> | 117 - 122 mm<br>4,606 - 4,803 in | AS13 aluminium / stainless steel | Screw   | 198 mm<br>7,795 in | 100 mm<br>3,937 in | 205 mm<br>8,071 in | none      |
| <b>CSC140E</b> | 112 - 117 mm<br>4,409 - 4,606 in | AS13 aluminium / stainless steel | Nut     | 201 mm<br>7,913 in | 100 mm<br>3,937 in | 205 mm<br>8,071 in | none      |

# Cleats, saddles and accessories

## CSC100V



|                 |                                  |                                  |       |                    |                    |                    |      |
|-----------------|----------------------------------|----------------------------------|-------|--------------------|--------------------|--------------------|------|
| <b>CSC140V</b>  | 122 - 127 mm<br>4,803 - 5,000 in | AS13 aluminium / stainless steel | Screw | 201 mm<br>7,913 in | 100 mm<br>3,937 in | 205 mm<br>8,071 in | none |
| <b>CSC47,5E</b> | 35 - 39 mm<br>1,378 - 1,535 in   | AS13 aluminium / stainless steel | Nut   | 100 mm<br>3,937 in | 45 mm<br>1,772 in  | 91 mm<br>3,583 in  | none |
| <b>CSC47,5V</b> | 35 - 39 mm<br>1,378 - 1,535 in   | AS13 aluminium / stainless steel | Screw | 100 mm<br>3,937 in | 45 mm<br>1,772 in  | 91 mm<br>3,583 in  | none |
| <b>CSC60E</b>   | 47 - 52 mm<br>1,850 - 2,047 in   | AS13 aluminium / stainless steel | Nut   | 112 mm<br>4,409 in | 66 mm<br>2,598 in  | 121 mm<br>4,764 in | none |
| <b>CSC60V</b>   | 42 - 47 mm<br>1,654 - 1,850 in   | AS13 aluminium / stainless steel | Screw | 112 mm<br>4,409 in | 66 mm<br>2,598 in  | 121 mm<br>4,764 in | none |
| <b>CSC65E</b>   | 47 - 52 mm<br>1,850 - 2,047 in   | AS13 aluminium / stainless steel | Nut   | 112 mm<br>4,409 in | 66 mm<br>2,598 in  | 121 mm<br>4,764 in | none |
| <b>CSC65V</b>   | 47 - 52 mm<br>1,850 - 2,047 in   | AS13 aluminium / stainless steel | Screw | 112 mm<br>4,409 in | 66 mm<br>2,598 in  | 121 mm<br>4,764 in | none |
| <b>CSC70E</b>   | 52 - 57 mm<br>2,047 - 2,244 in   | AS13 aluminium / stainless steel | Nut   | 121 mm<br>4,764 in | 66 mm<br>2,598 in  | 125 mm<br>4,921 in | none |
| <b>CSC70V</b>   | 52 - 57 mm<br>2,047 - 2,244 in   | AS13 aluminium / stainless steel | Screw | 121 mm<br>4,764 in | 66 mm<br>2,598 in  | 125 mm<br>4,921 in | none |
| <b>CSC75E</b>   | 57 - 62 mm<br>2,244 - 2,441 in   | AS13 aluminium / stainless steel | Nut   | 126 mm<br>4,961 in | 66 mm<br>2,598 in  | 131 mm<br>5,157 in | none |
| <b>CSC75V</b>   | 57 - 62 mm<br>2,244 - 2,441 in   | AS13 aluminium / stainless steel | Screw | 126 mm<br>4,961 in | 66 mm<br>2,598 in  | 131 mm<br>5,157 in | none |
| <b>CSC80E</b>   | 62 - 67 mm<br>2,441 - 2,638 in   | AS13 aluminium / stainless steel | Nut   | 134 mm<br>5,276 in | 80 mm<br>3,150 in  | 138 mm<br>5,433 in | none |
| <b>CSC80V</b>   | 62 - 67 mm<br>2,441 - 2,638 in   | AS13 aluminium / stainless steel | Screw | 134 mm<br>5,276 in | 80 mm<br>3,150 in  | 138 mm<br>5,433 in | none |
| <b>CSC85E</b>   | 67 - 72 mm<br>2,638 - 2,835 in   | AS13 aluminium / stainless steel | Nut   | 140 mm<br>5,512 in | 80 mm<br>3,150 in  | 144 mm<br>5,669 in | none |
| <b>CSC85V</b>   | 67 - 72 mm<br>2,638 - 2,835 in   | AS13 aluminium / stainless steel | Screw | 140 mm<br>5,512 in | 80 mm<br>3,150 in  | 144 mm<br>5,669 in | none |
| <b>CSC90E</b>   | 72 - 77 mm<br>2,835 - 3,031 in   | AS13 aluminium / stainless steel | Nut   | 145 mm<br>5,709 in | 80 mm<br>3,150 in  | 150 mm<br>5,906 in | none |
| <b>CSC90V</b>   | 72 - 77 mm<br>2,835 - 3,031 in   | AS13 aluminium / stainless steel | Screw | 145 mm<br>5,709 in | 80 mm<br>3,150 in  | 150 mm<br>5,906 in | none |
| <b>CSC95E</b>   | 77 - 82 mm<br>3,031 - 3,228 in   | AS13 aluminium / stainless steel | Nut   | 151 mm<br>5,945 in | 100 mm<br>3,937 in | 158 mm<br>6,220 in | none |
| <b>CSC95V</b>   | 77 - 82 mm<br>3,031 - 3,228 in   | AS13 aluminium / stainless steel | Screw | 151 mm<br>5,945 in | 100 mm<br>3,937 in | 158 mm<br>6,220 in | none |