

Certifications

IEC 61914:2015 - Approved by RTE

Section

Single aluminium cleats

Application

Field

**PRODUCT BENEFITS**

easy to close with our registered hinges system.

Stainless steel screws with anti-friction coating.

High resistance to landslides in vertical.

TOOL CAPACITY

Diameter 52 - 57 mm
2,047 - 2,244 inch

Material AS13 aluminium / stainless steel

Version Nut

TOOL DIMENSIONS

Length 121 mm

Width 66 mm

Height 125 mm

Weight without box 0,54 Kg

Packaging None

ALROC SAS

Z.I. de la Fonderie - 72160 TUFFE
FRANCE

Phone: +33 2 43 71 11 80

Fax number : +33 2 43 71 16 51

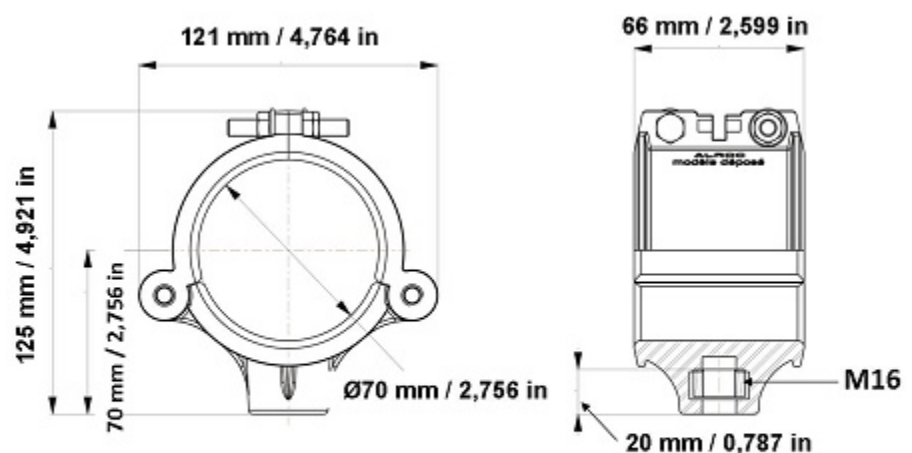
www.alroc.fr

Simple cleat of hinges Ø70 nut version**TO DO WHAT**

Our range of CSC simple cleats allows the maintenance of underground cables for the distribution and transmission of electricity.

Indoor or outdoor installation. SEMC, transformers, wells...

Must be associated with a protective fur (To order separately).

**Options**

LTF16-140 - Threaded rod connection M16

LCA-MMA - Articulated rod connection aluminium M16. Also available in inox version LCA-MMI

EC16 - M16 castellated nut

EQC16/00 - Base for M16 cleat. Also available in EQC16/50

VIL16/60 - Special screw M16

Associated tool

PCA10-70 - Protection for Ø52 to 54mm / Ø2,047 to 2,126in cable

PCA8-70 - Protection for Ø54 to 57mm / Ø2,126 to 2,244in cable

CAD - Socket wrench

CAE - Pin wrench



| Part Number | Diameter | Tool capacity | | Dimensions | | | Packaging |
|----------------|----------------------------------|----------------------------------|---------|--------------------|--------------------|--------------------|-----------|
| | | Material | Version | Length | Width | Height | |
| CSC100E | 82 - 87 mm 3,228 - 3,425 in | AS13 aluminium / stainless steel | Nut | 157 mm 6,181 in | 100 mm 3,937 in | 163 mm 6,417 in | none |
| CSC100V | 82 - 87 mm 3,228 - 3,425 in | AS13 aluminium / stainless steel | Screw | 157 mm 6,181 in | 100 mm 3,937 in | 163 mm 6,417 in | none |
| CSC105E | 87 - 92 mm 3,425 - 3,622 in | AS13 aluminium / stainless steel | Nut | 163 mm 6,417 in | 100 mm 3,937 in | 168 mm 6,614 in | none |
| CSC105V | 87 - 92 mm 3,425 - 3,622 in | AS13 aluminium / stainless steel | Screw | 163 mm 6,417 in | 100 mm 3,937 in | 168 mm 6,614 in | none |
| CSC110E | 92 - 97 mm 3,622 - 3,819 in | AS13 aluminium / stainless steel | Nut | 169 mm 6,654 in | 100 mm 3,937 in | 175 mm 6,890 in | none |
| CSC110V | 92 - 97 mm 3,622 - 3,819 in | AS13 aluminium / stainless steel | Screw | 169 mm 6,654 in | 100 mm 3,937 in | 175 mm 6,890 in | none |
| CSC115E | 97 - 102 mm 3,819 - 4,016 in | AS13 aluminium / stainless steel | Nut | 174 mm 6,850 in | 100 mm 3,937 in | 180 mm 7,087 in | none |
| CSC115V | 97 - 102 mm 3,819 - 4,016 in | AS13 aluminium / stainless steel | Screw | 174 mm 6,850 in | 100 mm 3,937 in | 180 mm 7,087 in | none |
| CSC120E | 102 - 107 mm 4,016 - 4,213 in | AS13 aluminium / stainless steel | Nut | 180 mm 7,087 in | 100 mm 3,937 in | 186 mm 7,323 in | none |
| CSC120V | 102 - 107 mm 4,016 - 4,213 in | AS13 aluminium / stainless steel | Screw | 180 mm 7,087 in | 100 mm 3,937 in | 186 mm 7,323 in | none |
| CSC125E | 107 - 112 mm 4,213 - 4,409 in | AS13 aluminium / stainless steel | Nut | 186 mm 7,323 in | 100 mm 3,937 in | 191 mm 7,520 in | none |
| CSC125V | 107 - 112 mm 4,213 - 4,409 in | AS13 aluminium / stainless steel | Screw | 186 mm 7,323 in | 100 mm 3,937 in | 191 mm 7,520 in | none |
| CSC130E | 112 - 117 mm 4,409 - 4,606 in | AS13 aluminium / stainless steel | Nut | 192 mm 7,559 in | 100 mm 3,937 in | 194 mm 7,638 in | none |
| CSC130V | 112 - 117 mm 4,409 - 4,606 in | AS13 aluminium / stainless steel | Screw | 192 mm 7,559 in | 100 mm 3,937 in | 194 mm 7,638 in | none |
| CSC135E | 112 - 117 mm 4,409 - 4,606 in | AS13 aluminium / stainless steel | Nut | 198 mm 7,795 in | 100 mm 3,937 in | 205 mm 8,071 in | none |
| CSC135V | 117 - 122 mm 4,606 - 4,803 in | AS13 aluminium / stainless steel | Screw | 198 mm 7,795 in | 100 mm 3,937 in | 205 mm 8,071 in | none |
| CSC140E | 112 - 117 mm 4,409 - 4,606 in | AS13 aluminium / stainless steel | Nut | 201 mm 7,913 in | 100 mm 3,937 in | 205 mm 8,071 in | none |

Cleats, saddles and accessories

CSC70E



| | | | | | | | |
|-----------------|----------------------------------|----------------------------------|-------|--------------------|--------------------|--------------------|------|
| CSC140V | 122 - 127 mm 4,803 - 5,000 in | AS13 aluminium / stainless steel | Screw | 201 mm 7,913 in | 100 mm 3,937 in | 205 mm 8,071 in | none |
| CSC47,5E | 35 - 39 mm 1,378 - 1,535 in | AS13 aluminium / stainless steel | Nut | 100 mm 3,937 in | 45 mm 1,772 in | 91 mm 3,583 in | none |
| CSC47,5V | 35 - 39 mm 1,378 - 1,535 in | AS13 aluminium / stainless steel | Screw | 100 mm 3,937 in | 45 mm 1,772 in | 91 mm 3,583 in | none |
| CSC60E | 47 - 52 mm 1,850 - 2,047 in | AS13 aluminium / stainless steel | Nut | 112 mm 4,409 in | 66 mm 2,598 in | 121 mm 4,764 in | none |
| CSC60V | 42 - 47 mm 1,654 - 1,850 in | AS13 aluminium / stainless steel | Screw | 112 mm 4,409 in | 66 mm 2,598 in | 121 mm 4,764 in | none |
| CSC65E | 47 - 52 mm 1,850 - 2,047 in | AS13 aluminium / stainless steel | Nut | 112 mm 4,409 in | 66 mm 2,598 in | 121 mm 4,764 in | none |
| CSC65V | 47 - 52 mm 1,850 - 2,047 in | AS13 aluminium / stainless steel | Screw | 112 mm 4,409 in | 66 mm 2,598 in | 121 mm 4,764 in | none |
| CSC70E | 52 - 57 mm 2,047 - 2,244 in | AS13 aluminium / stainless steel | Nut | 121 mm 4,764 in | 66 mm 2,598 in | 125 mm 4,921 in | none |
| CSC70V | 52 - 57 mm 2,047 - 2,244 in | AS13 aluminium / stainless steel | Screw | 121 mm 4,764 in | 66 mm 2,598 in | 125 mm 4,921 in | none |
| CSC75E | 57 - 62 mm 2,244 - 2,441 in | AS13 aluminium / stainless steel | Nut | 126 mm 4,961 in | 66 mm 2,598 in | 131 mm 5,157 in | none |
| CSC75V | 57 - 62 mm 2,244 - 2,441 in | AS13 aluminium / stainless steel | Screw | 126 mm 4,961 in | 66 mm 2,598 in | 131 mm 5,157 in | none |
| CSC80E | 62 - 67 mm 2,441 - 2,638 in | AS13 aluminium / stainless steel | Nut | 134 mm 5,276 in | 80 mm 3,150 in | 138 mm 5,433 in | none |
| CSC80V | 62 - 67 mm 2,441 - 2,638 in | AS13 aluminium / stainless steel | Screw | 134 mm 5,276 in | 80 mm 3,150 in | 138 mm 5,433 in | none |
| CSC85E | 67 - 72 mm 2,638 - 2,835 in | AS13 aluminium / stainless steel | Nut | 140 mm 5,512 in | 80 mm 3,150 in | 144 mm 5,669 in | none |
| CSC85V | 67 - 72 mm 2,638 - 2,835 in | AS13 aluminium / stainless steel | Screw | 140 mm 5,512 in | 80 mm 3,150 in | 144 mm 5,669 in | none |
| CSC90E | 72 - 77 mm 2,835 - 3,031 in | AS13 aluminium / stainless steel | Nut | 145 mm 5,709 in | 80 mm 3,150 in | 150 mm 5,906 in | none |
| CSC90V | 72 - 77 mm 2,835 - 3,031 in | AS13 aluminium / stainless steel | Screw | 145 mm 5,709 in | 80 mm 3,150 in | 150 mm 5,906 in | none |
| CSC95E | 77 - 82 mm 3,031 - 3,228 in | AS13 aluminium / stainless steel | Nut | 151 mm 5,945 in | 100 mm 3,937 in | 158 mm 6,220 in | none |
| CSC95V | 77 - 82 mm 3,031 - 3,228 in | AS13 aluminium / stainless steel | Screw | 151 mm 5,945 in | 100 mm 3,937 in | 158 mm 6,220 in | none |